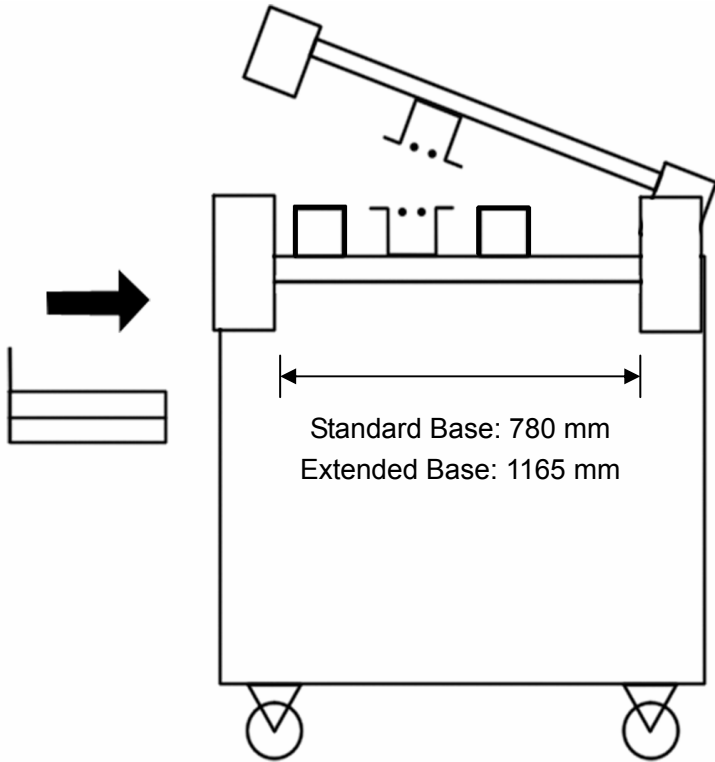


Modular Options of LD Range of Strip Heaters




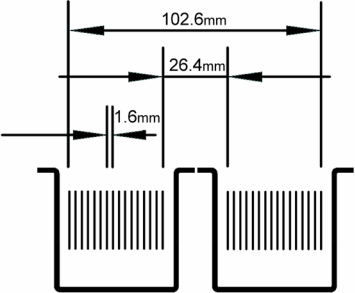
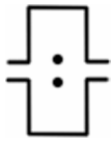
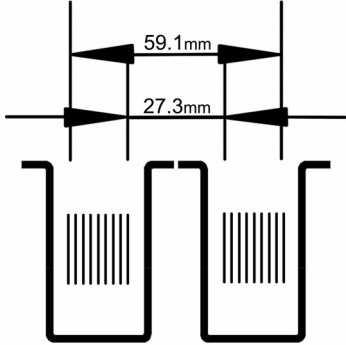
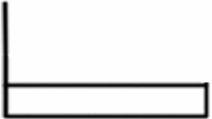
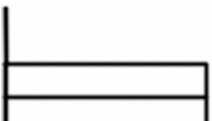
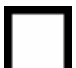
LD** Stage 1:

**:	40	1000mm(40")
	60	1500mm(60")
	80	2000mm(80")

Comprises:

- Base Frame & Stand:
 1 x LD**B2
 1 x L**P4
 2 x L**T

Additional Options Available:

	LD**B2	Double Sided Heater Beam, Two Wires Above, Two Wires Below. Maximum No. of Beams per Machine = 4.	
	LD**B1	Double Sided Heater Beam, One Wire Above, One Wire Below. Maximum No. of Beams per Machine = 8.	
	L**P2	Power Tray Can power up to 2 heating wires (i.e. 1 x L**B1).	Maximum No. of Power Trays per Machine = 4.
	L**P4	Power Tray Can power up to 4 heating wires (i.e. 1 x L**B2)	
	L**T	Support Slat 100mm wide	